

# FLO-Gard II

1000 / 2000 Series

## Flow Switches for Liquids / Gases (-1S2 or -2S2 Options)

Sturdy in-line metal construction (Brass or SST) are fitted with 1 (option 1S2) or 2 (option 2S2) single pole double throw reed switches for safety interlock or control circuits.

### Features and Benefits

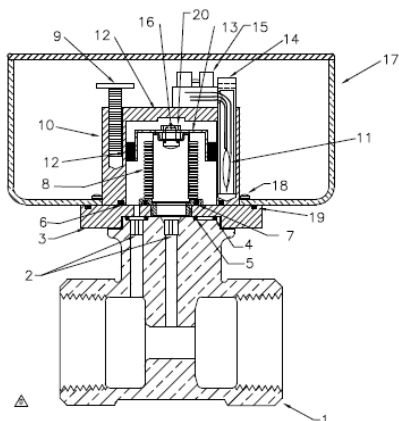
- Suitable for use with opaque and clear fluids.
- Liquid flow ranges from 4 GPH (15 l/h) in 1/2" flow meter to 3000 GPM (12000 l/m) in 8" flow meter.
- Gas flow ranges from 40 SCFH (1 Nm<sup>3</sup>/h) in 1/2" flow meter to 20,000 SCFM (600Nm<sup>3</sup>/m) in 8" flow meter.

### Applications

- Chillers
- Liquid Cooled UHF TV Transmitters
- Industrial Energy & Utilities

### Principle of Operation

Our differential pressure flow meters are based on the premise that the pressure drop across the meter is proportional to the square of the flow rate. The flow rate is obtained by measuring the pressure differential and extracting the square root. Our single pole double throw switches can be adjusted independently from 30% to 90% of full scale.



- 1 – 1000 Series Body
- 2 – Pulsation Snubbers
- 3 – Adapter Block
- 4 – O24 O-Ring
- 5 – O16 O-Ring
- 6 – O27 O-Ring
- 7 – O16 O-Ring
- 8 – Bellow (Brass or SST)
- 9 – Adjustment Screw
- 10 – Body Block
- 11 – Reed Switches
- 12 – Magnets
- 13 – Magnet Holder
- 14 – Reed Switch Housing
- 15 – Terminal Block
- 16 – 6-32 x 5/15" Seal Screw
- 17 – Aluminum Housing
- 18 – 4-40 x 1/4" Screw
- 19 – O37 O-Ring
- 20 – 6-32 Jam Nut



### Specifications

	Standard	Options
<b>Housing</b>	Aluminum	n/a
<b>Body</b>	Bronze 316 SS	n/a
<b>Bellows</b>	Bronze 316 SS	n/a
<b>Seals</b>	Buna-N	Viton EPR Teflon
<b>Pressure</b>		
Maximum	400 psig	n/a
Minimum	10 psig	n/a
<b>Temperature</b>		
Maximum	212°F	350°F
Minimum	-30°F	-80°F

### Reed Switches – General Purpose

<b>Setability</b>	± 5% F.S.
<b>Repeatability</b>	± 1% F.S.
<b>Hysteresis</b>	7 to 13% F.S.
<b>Contact Rating</b>	10 Watts
<b>Voltage</b>	175 Vdc max. 125 Vac max.
<b>Current</b>	350mA max. switching 1.5 Amp max. carry

## Model Number System

The example **1/2"-11-10-2S2** describes a 1/2" pipe size, 1000 series threaded connection, bronze material, flow rate of 10 GPM, Options – 2 single pole double throw (2S2 option).

<u>1/2"</u>	-	<u>1</u>		<u>1</u>	-	<u>10</u>	-	<u>2S2</u>
Pipe Size		Series		Material		Flow Rate		Options
1/4"	(8mm)	1000 Series		1 - Bronze		See Flow Chart		See Table
1/2"	(15mm)	2000 Series		2 - Monel				
3/4"	(20mm)			3 - SST				
1"	(25mm)							
1 1/2"	(40mm)							
2"	(50mm)							
2 1/2"	(65mm)							
3"	(80mm)							
4"	(100mm)							
5"	(125mm)							
6"	(150mm)							
8"	(200mm)							

## Table of Options

A	Viton Seals
B	EPR Seals
B2	Teflon Seals
ES	Low Flow Rate (Below 2 GPM)
I	Compressed Gas Service
1S2	1 Single Pole Double Throw Switch
2S2	2 Single Pole Double Throw Switches

## Flow Ranges – Series 7000 & 8000

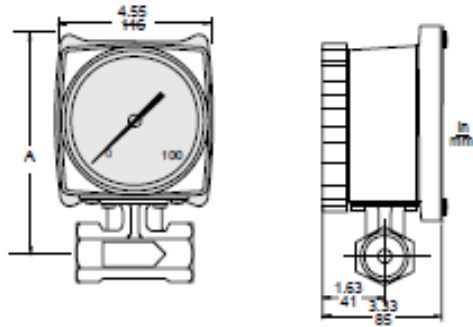
	Size	Liquids				Gases				
		GPM	LPM	SCFM	Nm <sup>3</sup> /h	GPM	LPM	SCFM	Nm <sup>3</sup> /h	
	1/4	2	8	10	15	2 1/2	60	240	600	1000
	1/4	3	10	20	30	2 1/2	100	400	800	1200
	1/4	4	15	30	50	2 1/2	150	600	1000	1500
	2 1/2	200	800	1200	2000	2 1/2	200	800	1200	2000
	1/2	2	8	10	15	3	200	800	1000	1500
	1/2	3	10	20	30	3	300	1000	2000	3000
	1/2	4	15	30	50	3	400	1500	3000	5000
	1/2	6	25	40	80	3	500	2000	4000	6000
	1/2	10	40	60	100					
	3/4	6	25	60	100	4	300	1000	1500	50
	3/4	10	40	100	150	4	400	1500	3000	100
	3/4	15	60	150	200	4	600	2400	5000	150
	3/4	20	80	200	300	4	800	3000	6000	200
	1	15	60	150	250	5	300	1000	1500	50
	1	20	80	200	400	5	400	1500	3000	100
	1	30	120	300	500	5	600	2400	5000	150
	1	40	150	400	600	5	800	3000	6000	200
	1 1/2	30	120	300	500	6	600	2400	3000	100
	1 1/2	40	150	400	600	6	800	3000	5000	150
	1 1/2	60	240	600	1000	6	1000	4000	8000	250
	1 1/2	100	400	800	1200	6	2000	8000	15000	400
	2	40	150	400		8	600	2400	5000	150
	2	60	240	600		8	1000	4000	8000	250
	2	100	400	800		8	2000	8000	15000	400
	2	150	600	1000		8	3000	12000	20000	600
	2	200	800	1200						

## Low Flow Rates – Option ES

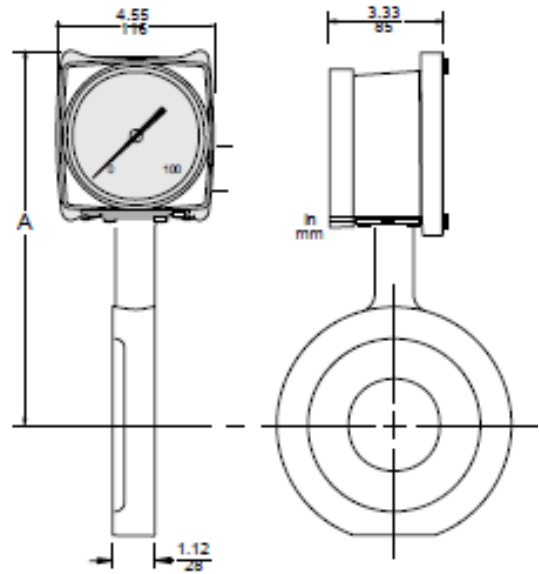
Size	GPH	l/h	cc/m
1/2	4	15	200
1/2	6	20	300
1/2	10	40	400
1/2	15	60	600
1/2	20	80	1000
1/2	30	120	2000
1/2	40	150	3000
1/2	60	240	4000
1/2	100	400	6000

Note: Available with 1/2" 7000 Series Only

## 7000 Series – 1/4" to 3" Connections



## 8000 Series – 1/2" to 8" Connection



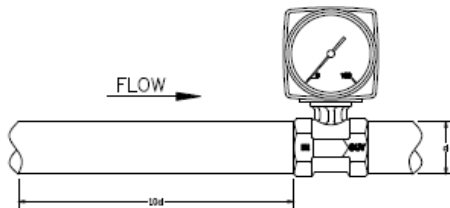
### Dimensions

Nominal Sizes		Series 7000 – A		Series 8000 - A	
In	mm	In	mm	in	mm
1/4	08	5.95	151	n/a	n/a
1/2	15	5.95	151	6.62	168
3/4	20	5.95	151	7.06	179
1	25	6.07	154	7.25	184
1 1/2	40	6.39	162	7.81	198
2	50	6.80	172	8.00	203
2 1/2	65	n/a	n/a	8.54	217
3	80	7.48	190	8.87	225
4	100	n/a	n/a	9.95	252
5	125	n/a	n/a	10.36	263
6	150	n/a	n/a	11.05	280
8	200	n/a	n/a	12.30	311

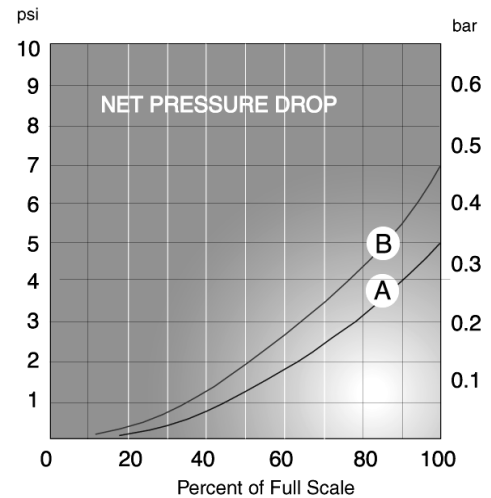
Note: Dimensions are based on bronze meters.

### Piping Requirements

The site selected should provide at least 10 pipe diameters of straight meter sized pipe between the meter inlet and any upstream fitting such as elbow, tee or valve.



### Pressure Drop Characteristics



Curve A – Bronze Bellows  
Curve B – Monel, SS, Inconel Bellows

# RCM Industries, Inc.

110 Mason Circle      Concord, CA 94520-1238      USA  
Ph. 925.687.8363      Toll Free 888-flo-gage      Fax 925.671.9636  
e-mail : sales@flo-gage.com      <http://www.flo-gage.com>