

Digital Display Flow Meter for Liquids / Gases (RW3, RW3-1, RW3-2 & RW3-4 Options)

Features and Benefits

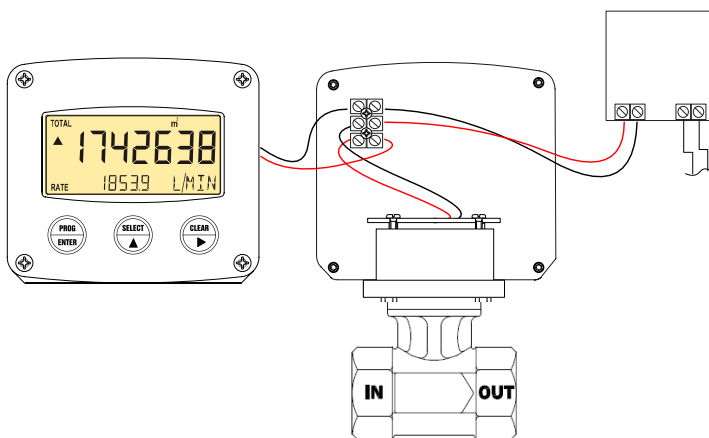
- Displays instantaneous flow rate, total and accumulated total
- Large 17mm (0.67") digit selection for flow rate and total
- Measures 6:1 range with $\pm 3\%$ F.S. accuracy
- Scaled pulse signal output according to accumulated total
- Liquid flow ranges from 4 GPH (15 l/h) in 1/2" flow meter to 3000 GPM (12000 l/m) in 8" flow meter.
- Gas flow ranges from 40 SCFH (1 Nm³/h) in 1/2" flow meter to 20,000 SCFM (600Nm³/m) in 8" flow meter.

Applications

- Energy and Utilities Industry
- Process Control for Liquids and Gases
- O₂ (Oxygen) Service Applications
- Biodiesel Blending Process

Principle of Operation

The digital display is a 2-wire loop powered flow meter with a built in wet/wet differential pressure sensor protected by an isolated stainless steel diaphragm which provides a 4-20mA signal in either a non-linear or linear signal. The pressure sensor detects the differential pressure created through the calculated flow nozzle in the body. A scaled pulse output signal according to the accumulated total. Other features include alarms and Modbus communication protocol. The digital display requires a 24Vdc supply not included (option PS-24).



Specifications

	Standard	Options
Housing	GRP	Aluminum
Body	Bronze	316 SS
DP Sensor	316 SS	n/a
Seals	Buna-N	Viton
Accuracy	$\pm 3\%$ F.S.	
Repeatability	$\pm 1\%$ F.S.	
Pressure		
Maximum	180 psig	400 psig
Minimum	10 psig	10 psig
Temperature		
Maximum	212°F	n/a
Minimum	-30°F	n/a

Electrical Specifications

Power Input

100mA, 24Vdc power supply 20-30 Vdc Input loop powered from 4-20mA signal. Voltage drop 2.6V max.

Display

High intensity reflective numeric and alpha numeric LCD, UV resistant. User definable, 8 times / sec -30 secs.

Password Protected, 7 and 11 digit various symbols and measuring units

Signal Inputs

Full Scale Range 4-20mA DC

Loop Voltage Drop 2.6 Volts max at 20mA

Update Time 4 times / sec.

Span 0.001 / 999,999 with available decimal position

16 Bit resolution error < 0.01mA / $\pm 0.05\%$ F.S.

Low cutoff supplied to inhibit indication at low flow rates

Signal Outputs

The pulse output transmitting accumulated total

Type one passive transistor output (NPN) max 500Hz pulse length user definable between 1 msec up to 10 sec.

Model Number System

The example **1/2"-71-R-10-1S2** describes a 1/2" pipe size, 7000 series threaded connection, bronze material, flow from left to right, flow rate of 10 GPM, Options – 1 single pole double throw (1S2 option).

<u>1/2"</u>	-	<u>7</u>		<u>1</u>	-	<u>R</u>	-	<u>10</u>	-	<u>1S2</u>
Pipe Size		Series		Material		Flow Direction		Flow Rate		Options
1/4"	(8mm)	7000 Series		1 - Bronze		L – Right to Left		See Flow Chart		See Table
1/2"	(15mm)	8000 Series		2 - Monel		R – Left to Right				
3/4"	(20mm)			3 - SST		VUR – Vertical Up Flow Dial Right				
1"	(25mm)					VUL - Vertical Up Flow Dial Left				
1 1/2"	(40mm)					VDR - Vertical Down Flow Dial Right				
2"	(50mm)					VDL - Vertical Up Flow Dial Left				
2 1/2"	(65mm)									
3"	(80mm)									
4"	(100mm)									
5"	(125mm)									
6"	(150mm)									
8"	(200mm)									

Table of Options

Flow Ranges – Series 7000 & 8000

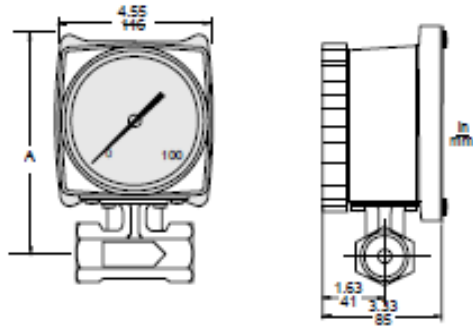
Option	Description	Size	GPM	LPM	SCFM	Nm ³ /h	Size	GPM	LPM	SCFM	Nm ³ /h
A	Viton Seals										
C	Calibrated for Specific Gravity										
E	Non-Standard Flow Rate										
ES	Low Flow Rate (Below 2 GPM)										
H	High Pressure Service (400 psig max.)	1/4	2	8	10	15	2 1/2	60	240	600	1000
I	Compressed Gas Service	1/4	3	10	20	30	2 1/2	100	400	800	1200
P	Panel Mount	1/4	4	15	30	50	2 1/2	150	600	1000	1500
R2	Remote Readout, Brass (Mech. Indicator)						2 1/2	200	800	1200	2000
R3	Remote Readout, 316 SS (Mech. Indicator)										
RW3	Digital Display Flow Rate & Total (non-linear 4-20mA signal)	1/2	2	8	10	15	3	200	800	1000	1500
		1/2	3	10	20	30	3	300	1000	2000	3000
		1/2	4	15	30	50	3	400	1500	3000	5000
RW3-1	Digital Display Flow Rate & Total (linear 4-20mA signal +Hart)	1/2	6	25	40	80	3	500	2000	4000	6000
		1/2	10	40	60	100					
RW3-2	Digital Display Flow Rate & Total +Alarm (w/non-linear 4-20mA signal)	3/4	6	25	60	100	4	300	1000	1500	50
		3/4	10	40	100	150	4	400	1500	3000	100
RW3-3	Digital Display Flow Rate & Total +Alarm (linear 4-20mA signal +Hart)	3/4	15	60	150	200	4	600	2400	5000	150
		3/4	20	80	200	300	4	800	3000	6000	200
RW3-4	Digital Display Flow Rate & Total +Modbus (linear 4-20mA signal +Hart)										
		1	15	60	150	250	5	300	1000	1500	50
V	High Viscosity Service (5-500 cps)	1	20	80	200	400	5	400	1500	3000	100
		1	30	120	300	500	5	600	2400	5000	150
		1	40	150	400	600	5	800	3000	6000	200

Low Flow Rates – Option ES

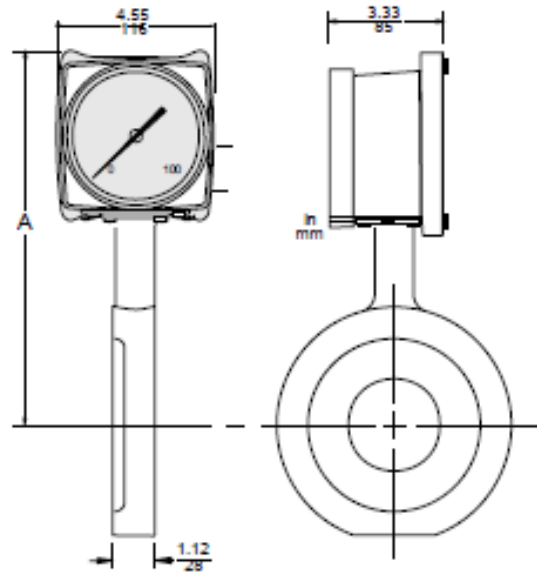
Size	GPH	l/h	cc/m	Size	GPM	LPM	SCFM	Nm ³ /h	Size	GPM	LPM	SCFM	Nm ³ /h
1/2	4	15	200	1 1/2	30	120	300	500	6	600	2400	3000	100
1/2	6	20	300	1 1/2	40	150	400	600	6	800	3000	5000	150
1/2	10	40	400	1 1/2	60	240	600	1000	6	1000	4000	8000	250
1/2	15	60	600	1 1/2	100	400	800	1200	6	2000	8000	15000	400
1/2	20	80	1000	2	40	150	400		8	600	2400	5000	150
1/2	30	120	2000	2	60	240	600		8	1000	4000	8000	250
1/2	40	150	3000	2	100	400	800		8	2000	8000	15000	400
1/2	60	240	4000	2	150	600	1000		8	3000	12000	20000	600
1/2	100	400	6000	2	200	800	1200						

Note: Available with 1/2" 7000 Series Only

7000 Series – 1/4" to 3" Connections



8000 Series – 1/2" to 8" Connection



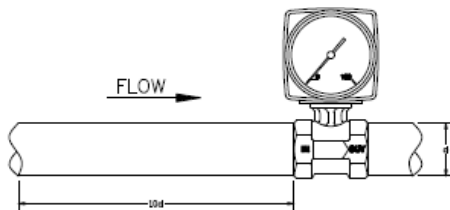
Dimensions

Nominal Sizes		Series 7000 – A		Series 8000 - A	
In	mm	In	mm	in	mm
1/4	08	5.95	151	n/a	n/a
1/2	15	5.95	151	6.62	168
3/4	20	5.95	151	7.06	179
1	25	6.07	154	7.25	184
1 1/2	40	6.39	162	7.81	198
2	50	6.80	172	8.00	203
2 1/2	65	n/a	n/a	8.54	217
3	80	7.48	190	8.87	225
4	100	n/a	n/a	9.95	252
5	125	n/a	n/a	10.36	263
6	150	n/a	n/a	11.05	280
8	200	n/a	n/a	12.30	311

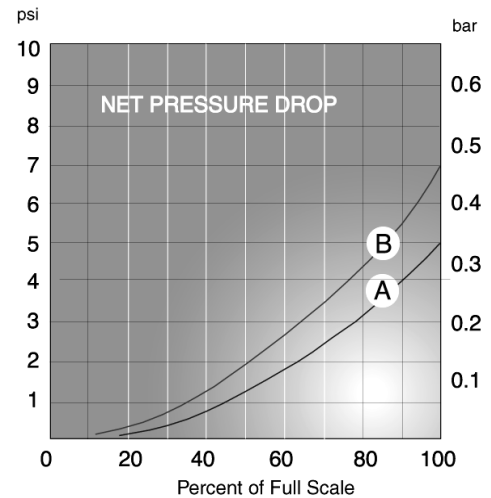
Note: Dimensions are based on bronze meters.

Piping Requirements

The site selected should provide at least 10 pipe diameters of straight meter sized pipe between the meter inlet and any upstream fitting such as elbow, tee or valve.



Pressure Drop Characteristics



Curve A – Bronze Bellows
Curve B – Monel, SS, Inconel Bellows

RCM Industries, Inc.

110 Mason Circle Concord, CA 94520-1238 USA
Ph. 925.687.8363 Toll Free 888-flo-gage Fax 925.671.9636
e-mail : sales@flo-gage.com <http://www.flo-gage.com>