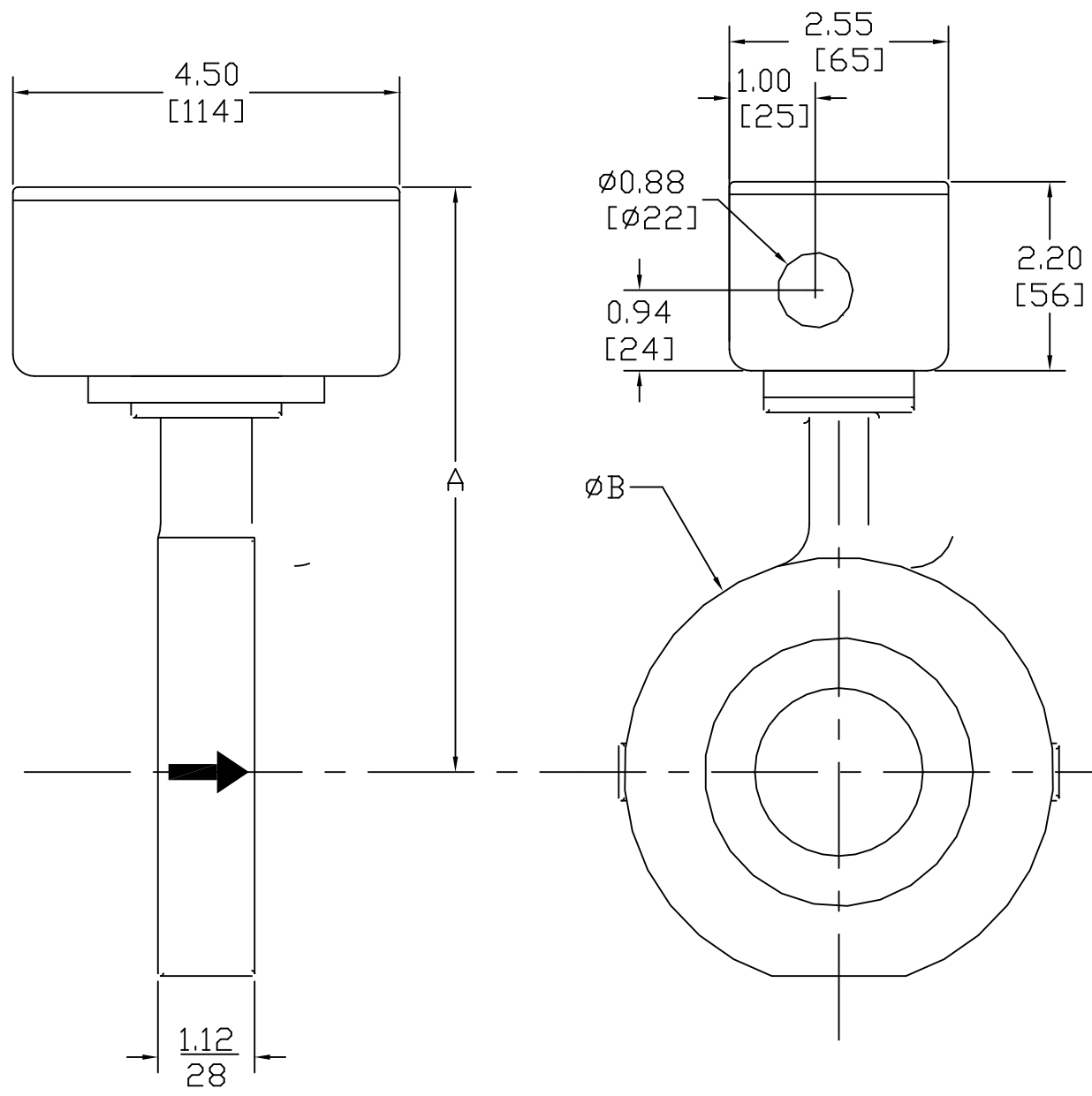


LTR	DATE	BY	CHECK	REVISIONS
A	8/24/01			INITIAL DESIGN
B	1/23/07			CHANGED TO SQUARE HOUSING
C	8/14/10			ADDED SST DIMENSIONS
D	8/23/12			ADD W3 TO DESCRIPTION

SERIES 2000 & W3



DIMENSION

PIPE SIZE		BRONZE & MONEL		SST			
in	mm	A	B	B	B		
0.5	15	4.6	117	1.69	43	1.62	41
0.75	20	5.04	128	2.00	51	2.00	51
1.0	25	5.23	133	2.38	60	2.38	60
1.5	40	5.79	147	3.12	79	3.00	76
2.0	50	5.98	152	3.75	95	3.75	95
2.5	65	6.48	165	4.25	108	4.25	108
3.0	80	6.85	174	5.00	127	5.00	127
4.0	100	7.92	201	6.13	156	6.00	152
5.0	125	8.32	211	7.38	187	7.00	178
6.0	150	9.04	230	8.38	213	8.00	203
8.0	200	10.29	261	10.38	264	10.00	254

NOTES:

1. DIMENSION FORMAT IS $\frac{\text{in}}{\text{mm}}$

ITEM	DWG. NO.	DESCRIPTION OF MATERIALS	QTY.
UNLESS OTHERWISE SPECIFIED: DIMENSIONS ARE IN INCHES TOLERANCES		RCM Industries, Inc. 110 MASON CIRCLE CONCORD, CA. 94520 SERIES 2000 & W3 FLOWSWITCH HOUSING-BODY ASSEMBLY	
FRACTIONS:	± _____		
.X	± _____		
.XX	± _____		
.XXX	± _____		
ANGLES:	± _____		
SURFACE FINISH:	± _____		
DRAWN BY	DATE 9/24/01	SCALE 1:1	SIZE C
CHECKED BY		DWG NO. 6642	REV D