

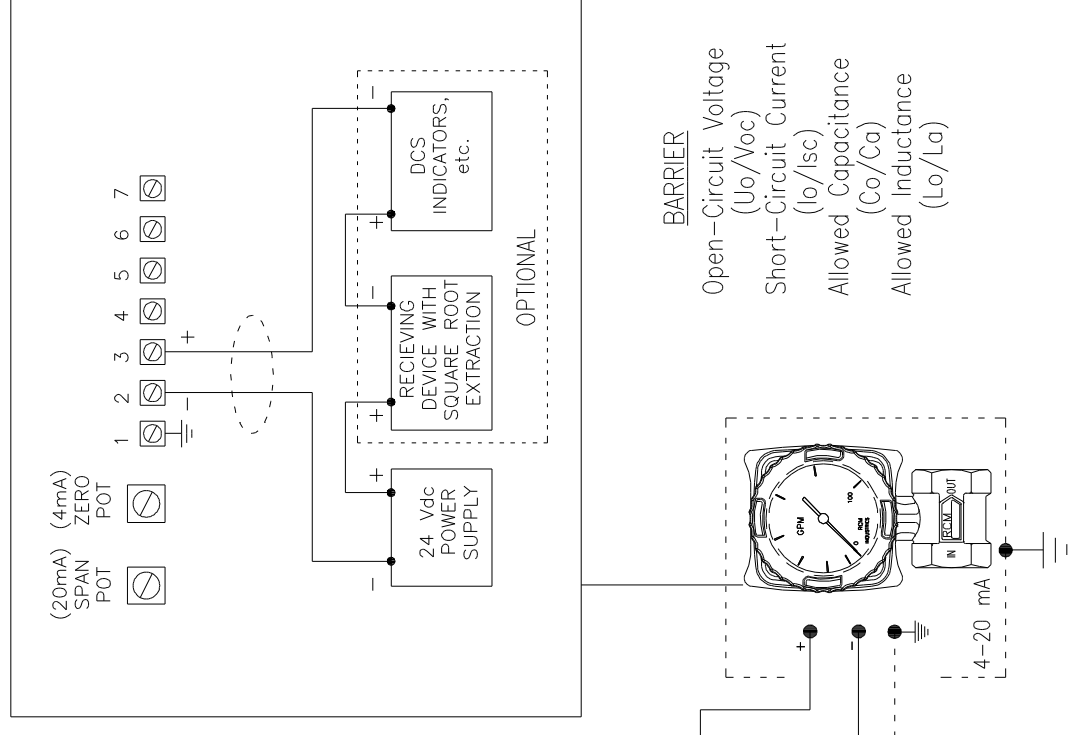
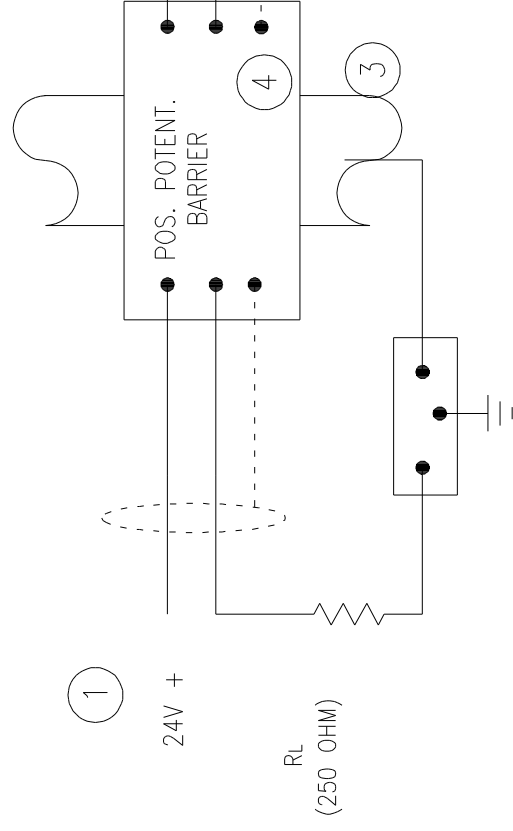
File #'s
 211898-2500020345 &
 211898-2500020346

NON HAZARDOUS LOCATION

HAZARDOUS LOCATION

RECOMMENDED INSTALLATION

Use CSA/UL Approved watertight conduit. (Recommended conduit 0-Z/GEDNEY SR9-502).
 Use Alpha, Xtra-Guard 1, AWG 18, 2 conductor shielded cable with drain wire and overall braided tinned copper. UL Type CM, AWM 2464, CSA PCC FT4, UL VW-1 approved and OSHA accepted. Important. Terminate shield inside outer housing, but outside inner housing.



BARRIER		APPARATUS	
Open-Circuit Voltage (Uo/Voc)	≤	Max. Voltage (Ui/Vmax)	
Short-Circuit Current (Io/Isc)	≤	Max. Current (Ii/Imax)	
Allowed Capacitance (Co/Co)	≥	Total Capacitance (Ci + Ccable)	
Allowed Inductance (Lo/Lo)	≥	Total Inductance (Li + Lcable)	

CSA & NRTL/: Ex ia IIC T3

Class I, Division I, Group A, B, C, D
 Class II, Groups E, F, G.

LCIE/CENELEC: EEx ia IIC II 1G
 T3, Ta=0 to 50°C

FLOWMETER ENTITY PARAMETERS			
U _i /V _{max}	i _i /I _{max}	C _i	L _i
26V	100mA	72nF	0uH

Tamb: 0 to 50° C
 NORMAL OPERATING PARAMETERS:
 Power Input = 24 Vdc, 25mA

- NOTES:
- THE BARRIER MUST NOT BE CONNECTED TO ANY DEVICE WHICH USES OR GENERATES IN EXCESS OF 250 VOLTS RMS. OR DC UNLESS IT HAS BEEN DETERMINED THAT THE VOLTAGE HAS BEEN ADEQUATELY ISOLATED FROM THE BARRIER.
 - THE INSTALLATION MUST BE IN ACCORDANCE WITH THE NATIONAL ELECTRICAL CODE, NFPA 70, ARTICLE 505, AND ANSI/ISA-RP12.6; C.E.C (CANADIAN ELECTRICAL CODE)
 - THE BARRIER MUST BE CONNECTED TO A SUITABLE GROUND ELECTRODE PER NFPA 70, ARTICLE 505. THE RESISTANCE OF THE GROUND PATH MUST BE LESS THAN 1 OHM.
 - CERTIFIED INTRINSICALLY SAFE BARRIER WITH SAME POLARITY MEETING MATCHING ENTITY PARAMETERS.

LTR	DATE	BY	CHECK	REVISIONS
B	8/20/00			UPDATED
C	1/23/02			CHANGED PER CSA
D	02/13/02			ADDED SPECIFICATIONS
E	05/22/02			DELETED AEx ia IIC
F	07/09/02			ADDED IIC T3

ITEM	DWG. NO.	DESCRIPTION OF MATERIALS	QTY.
UNLESS OTHERWISE SPECIFIED: DIMENSIONS ARE IN INCHES TOLERANCES			
FRACTIONS: E E E E			
.X .XX .XXX E E E			
ANGLES: E E E			
SURFACE FINISH: S			
DRAWN BY: DATE: 2/13/02			
CHECKED BY: SCALE: 1:1 SIZE: C DWG NO.: 6440 PAGE: OF REV: F			

RCM Industries, Inc. 110 MASON CIRCLE CONCORD, CA. 94520

I.S. INSTALLATION
 DRAWING