

LTR	DATE	BY	CHECK	REVISIONS
A	9/24/01			INITIAL DESIGN
B	1/23/02			CHANGED TO SQUARE HOUSING
C	8/14/02			ADDED SST DIMENSIONS
D	8/22/02			ADD W3 TO DESCRIPTION
E	8/29/03			TYPO 8000 WAS 2000

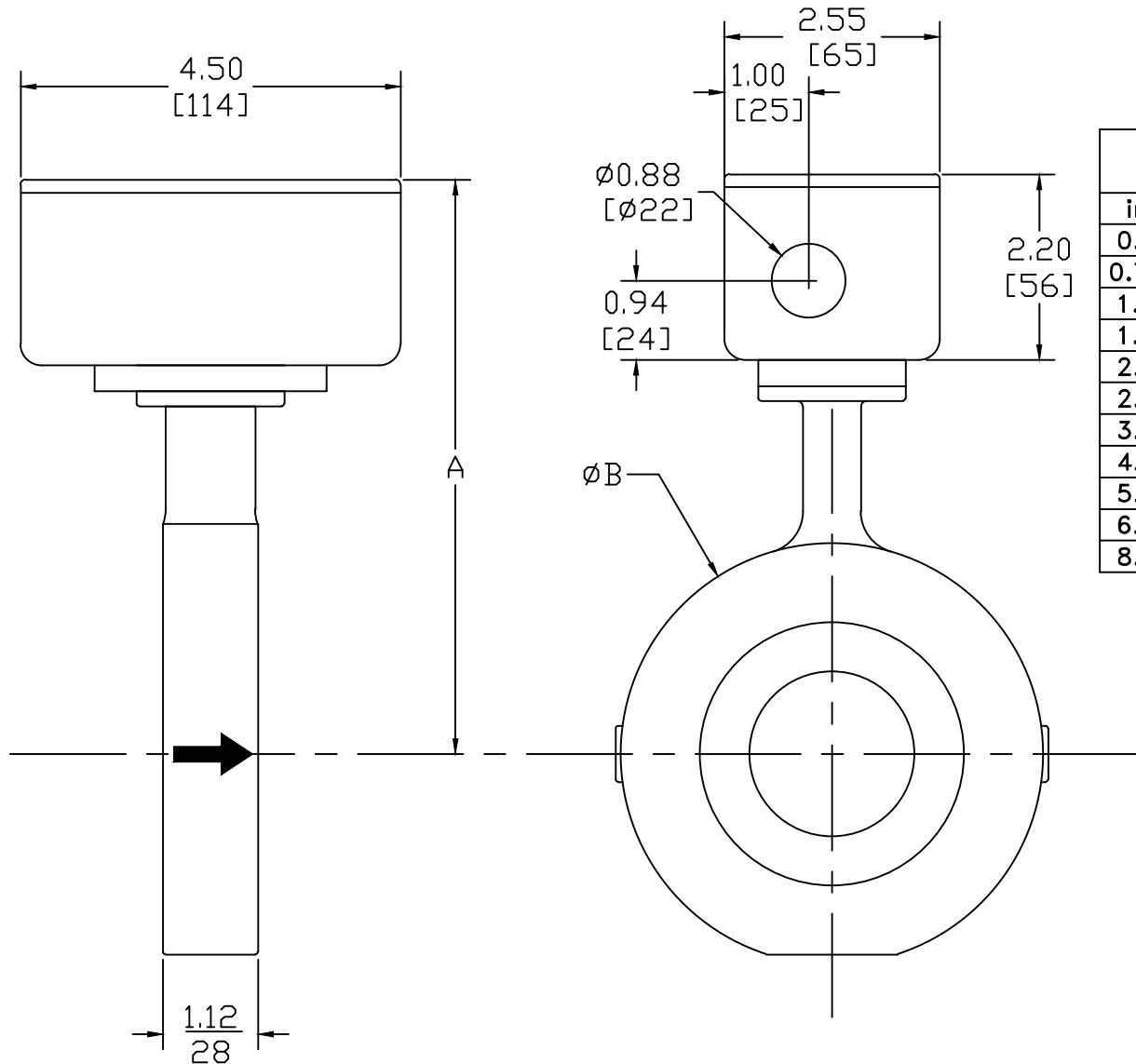
# SERIES 8000 W3

## DIMENSION

PIPE SIZE		BRONZE & MONEL				SST	
		A		B		B	
in	mm	in	mm	in	mm	in	mm
0.5	15	4.6	117	1.69	43	1.62	41
0.75	20	5.04	128	2.00	51	2.00	51
1.0	25	5.23	133	2.38	60	2.38	60
1.5	40	5.79	147	3.12	79	3.00	76
2.0	50	5.98	152	3.75	95	3.75	95
2.5	65	6.48	165	4.25	108	4.25	108
3.0	80	6.85	174	5.00	127	5.00	127
4.0	100	7.92	201	6.13	156	6.00	152
5.0	125	8.32	211	7.38	187	7.00	178
6.0	150	9.04	230	8.38	213	8.00	203
8.0	200	10.29	261	10.38	264	10.00	254

### NOTES:

1. DIMENSION FORMAT IS  $\frac{\text{in}}{\text{mm}}$



ITEM	DWG. NO.	DESCRIPTION OF MATERIALS	QTY.
UNLESS OTHERWISE SPECIFIED: DIMENSIONS ARE IN INCHES TOLERANCES FRACTIONS: ± _____ .X ± _____ .XX ± _____ .XXX ± _____ ANGLES: ± _____ SURFACE FINISH: _____ DRAWN BY _____ DATE 9/24/01 CHECKED BY _____			
		<b>RCM Industries, Inc.</b> 110 MASON CIRCLE CONCORD, CA. 94520 <b>SERIES 8000 W3 FLOWSWITCH            HOUSING-BODY            ASSEMBLY</b>	
		SCALE 1:1 SIZE C DWG NO. 6642	REV E