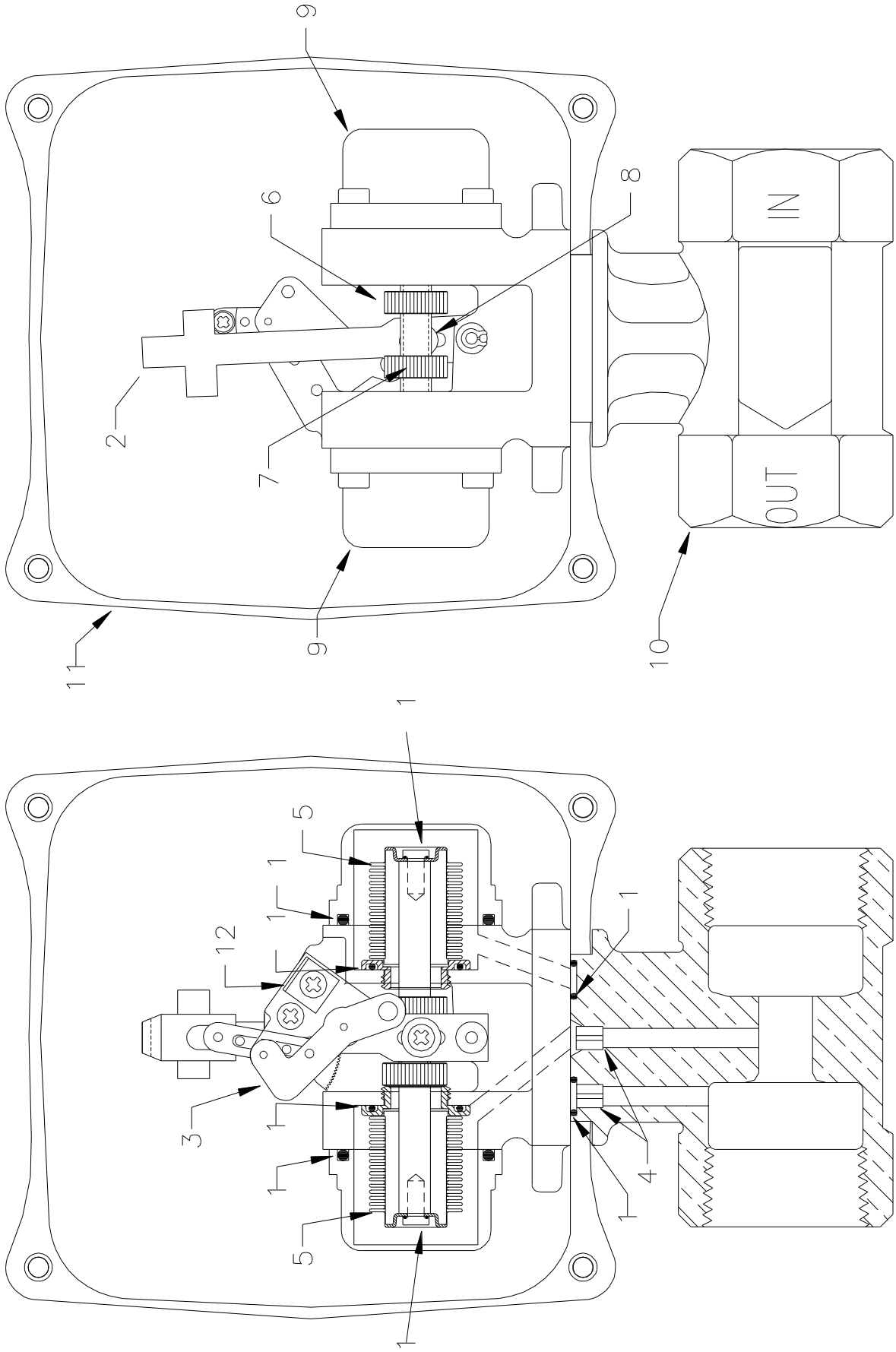


LTR	DATE	BY	CHECK	REVISIONS
A	04/15/02			INITIAL DESIGN

FRONT

BACK



ITEM	DWG. NO.	DESCRIPTION OF MATERIALS	QTY.
11		HOUSING	1
10		BODY	1
9		CELL CAP	1
8		CAM FOLLWER	1
7		CAM NUT	1
6		STOP NUT	1
5		BELLOW	2
4		PULSATION SNUBBERS	2
3		GEAR MOVEMENT	1
2		LEVER	1
1		O-RING SET OF 8	1

UNLESS OTHERWISE SPECIFIED:
DIMENSIONS ARE IN INCHES
TOLERANCES

FRACTIONS: E
.X E
.XX E
.XXX E
ANGLES: E
SURFACE FINISH: S

DRAWN BY: _____ DATE: 04/15/02

CHECKED BY: _____

RCM Industries, Inc. 110 MASON CIRCLE
CONCORD, CA. 94520

CUT-AWAY ASSY

SCALE 1:1 SIZE C DWG NO. 6817 PAGE OF REV A