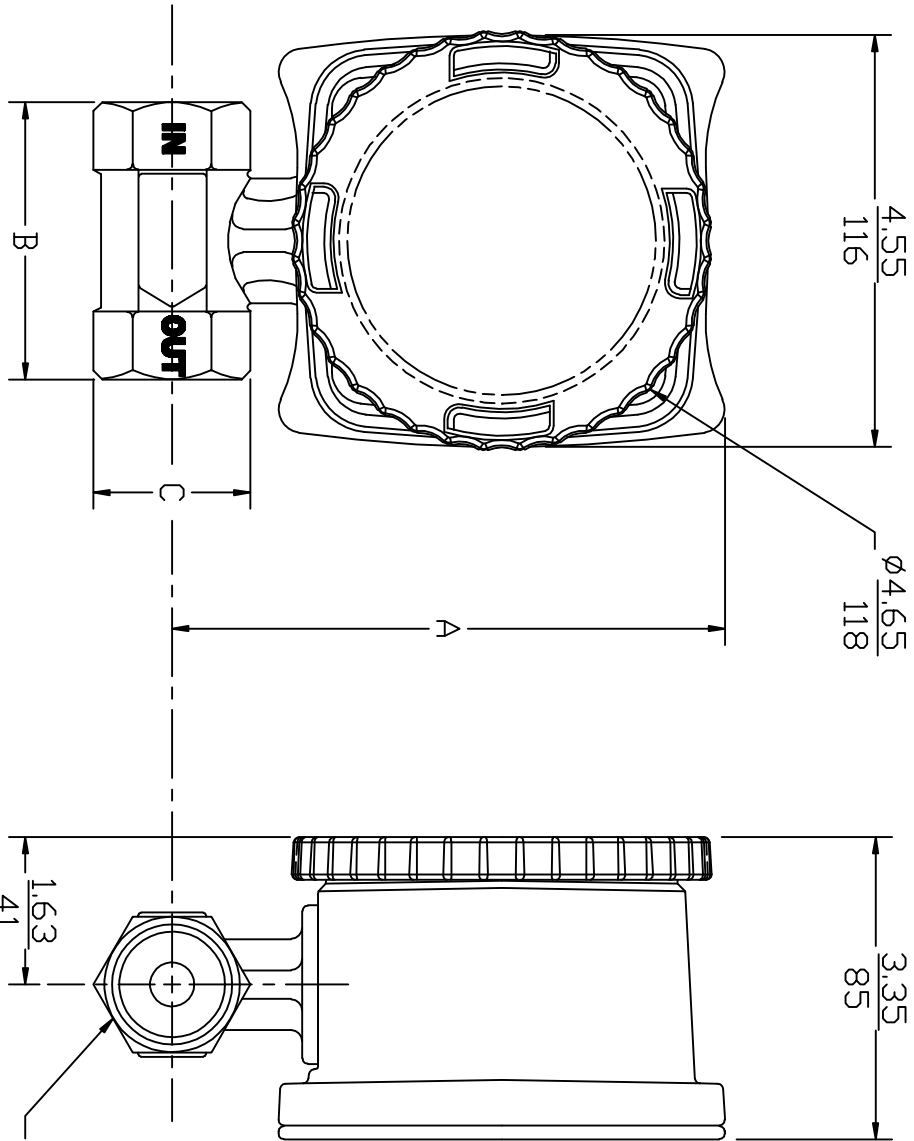


LT#	DATE	BY	CHECK	REVISIONS
A	4/11/00			INITIAL DESIGN
B	4/11/00			CHANGED 1/4" & 1/2" TO HEX BODY
C	3/14/00			CHANGED B DIMENSION FOR SST
D	6/11/00			CHANGED A,C,D DIMENSION FOR SST



NOTES:  
1. DIMENSION FORMAT IS  $\frac{\text{in}}{\text{mm}}$

## SERIES 7000 BRNZ & MONEL

PIPE SIZE	DIMENSION								
	A		B		C		D		
in	mm	in	mm	in	mm	in	mm	in	mm
0.25	08	5.95	151	3.06	78	1.50	38	1.25	32
0.5	15	5.95	151	3.06	78	1.50	38	1.25	32
0.75	20	5.95	151	3.06	78	1.50	38	1.25	32
1.0	25	6.07	154	3.06	78	1.75	44	1.50	38
1.5	40	6.39	162	3.06	78	2.50	64	2.12	54
2.0	50	6.80	172	3.19	81	3.19	81	2.75	70
3.0	80	7.48	190	4.19	106	4.62	117	4.00	102

## SERIES 7000 SST

PIPE SIZE	DIMENSION								QTY.	
	A		B		C		D			
in	mm	in	mm	in	mm	in	mm	in	mm	
0.25	08	5.20	132	3.06	78	1.06	27	1.06	27	sq
0.5	15	5.20	132	3.06	78	1.06	27	1.06	27	sq
0.75	20	5.92	150	2.70	69	1.50	38	1.50	38	rnd
1.0	25	5.94	151	2.77	70	1.75	44	1.75	44	rnd
1.5	40	6.39	162	3.27	83	2.38	60	2.38	60	rnd
2.0	50	6.80	172	3.27	83	3.0	76	3.0	76	rnd
3.0	80	7.48	190	4.36	111	4.62	117	4.00	102	rnd

ITEM	DWG. NO.	DESCRIPTION OF MATERIALS	QTY.
UNLESS OTHERWISE SPECIFIED: DIMENSIONS ARE IN INCHES TOLERANCES:			
REACTIONS: ± X XX XXX ANGLES: ± SURFACE FINISH: ±			
DRAWN BY	DATE	SERIES 7000 FLOWMETER HOUSING-BODY ASSEMBLY	
CHECKED BY	8/11/00	<b>FCM</b> Industries, Inc. 110 MASON CIRCLE CONCORD, CA. 94520	
SCALE	1:1	SIZE	C
DWG NO.	6391	REV	D