
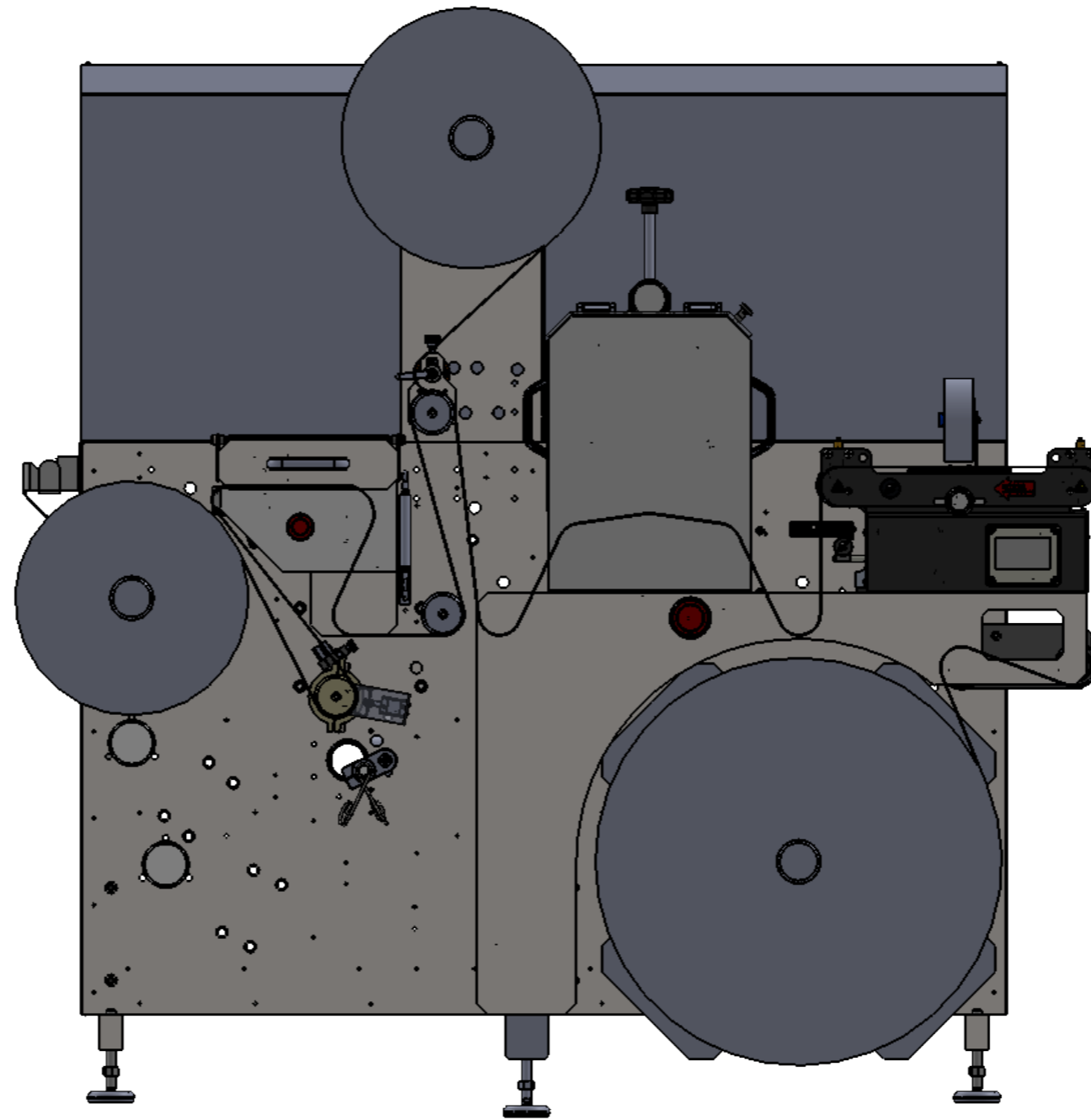

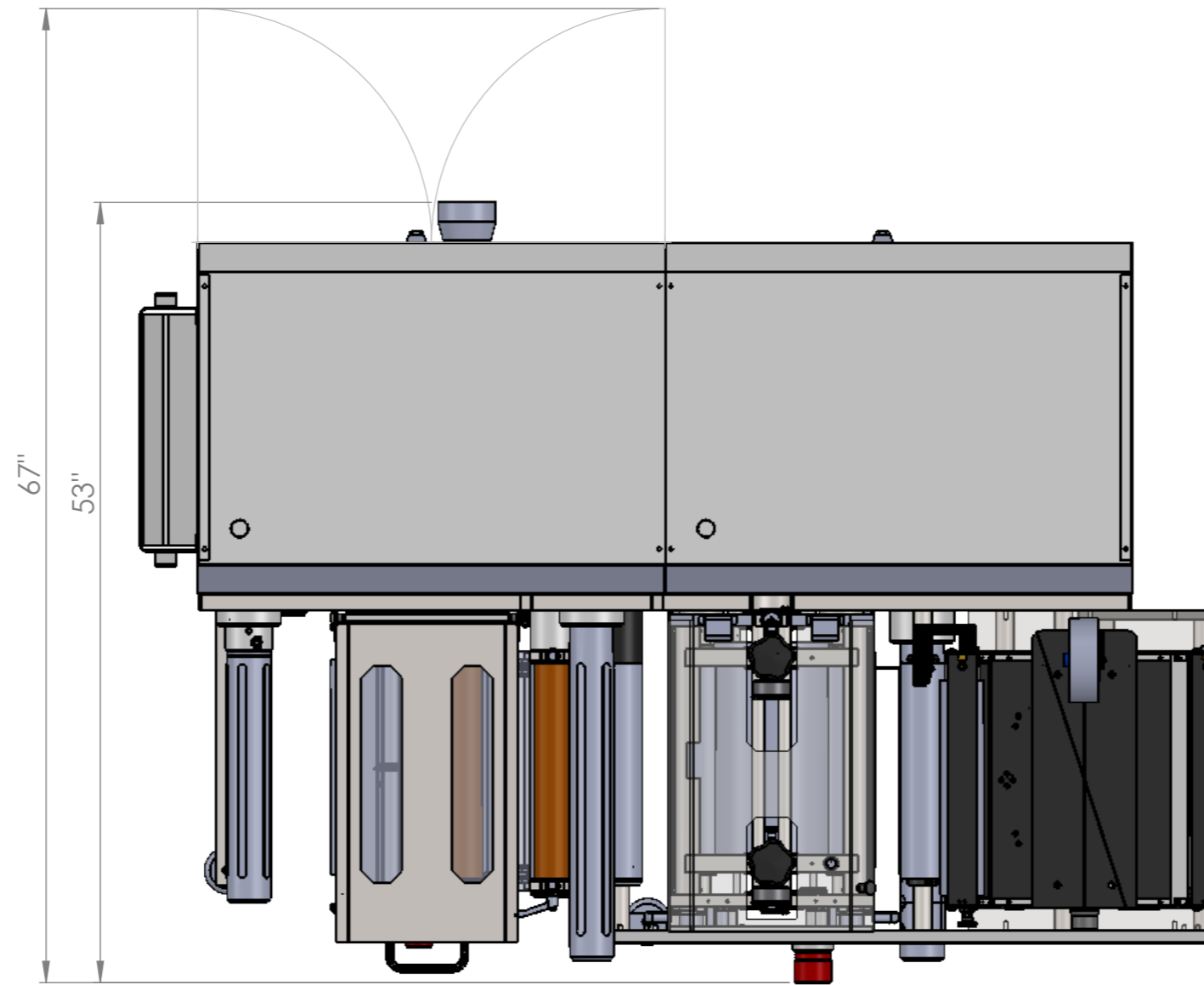



	NAME / SIGNATURE	DATE		
DRAWN	Piotr Rybnik	05.02.2018		
CHANGE	I.bazydlo	27.11.2018	DWG NO.	
APPROVED			REVISION	QUANTITY
SCALE:	WEIGHT [g]:	MATERIAL:		



	NAME / SIGNATURE		DATE		
DRAWN	Piotr Rybnik		05.02.2018		
CHANGE	l.bazydlo		27.11.2018	SR2 - USA	
APPROVED				DWG NO.	
SCALE:	WEIGHT [g]:	MATERIAL:		REVISION	QUANTITY



	NAME / SIGNATURE		DATE		
DRAWN	Piotr Rybnik		05.02.2018	TITLE: SR2 - USA	
CHANGE	l.bazydlo		27.11.2018	DWG NO.	
APPROVED					
SCALE:	WEIGHT [g]:	MATERIAL:		REVISION	QUANTITY