
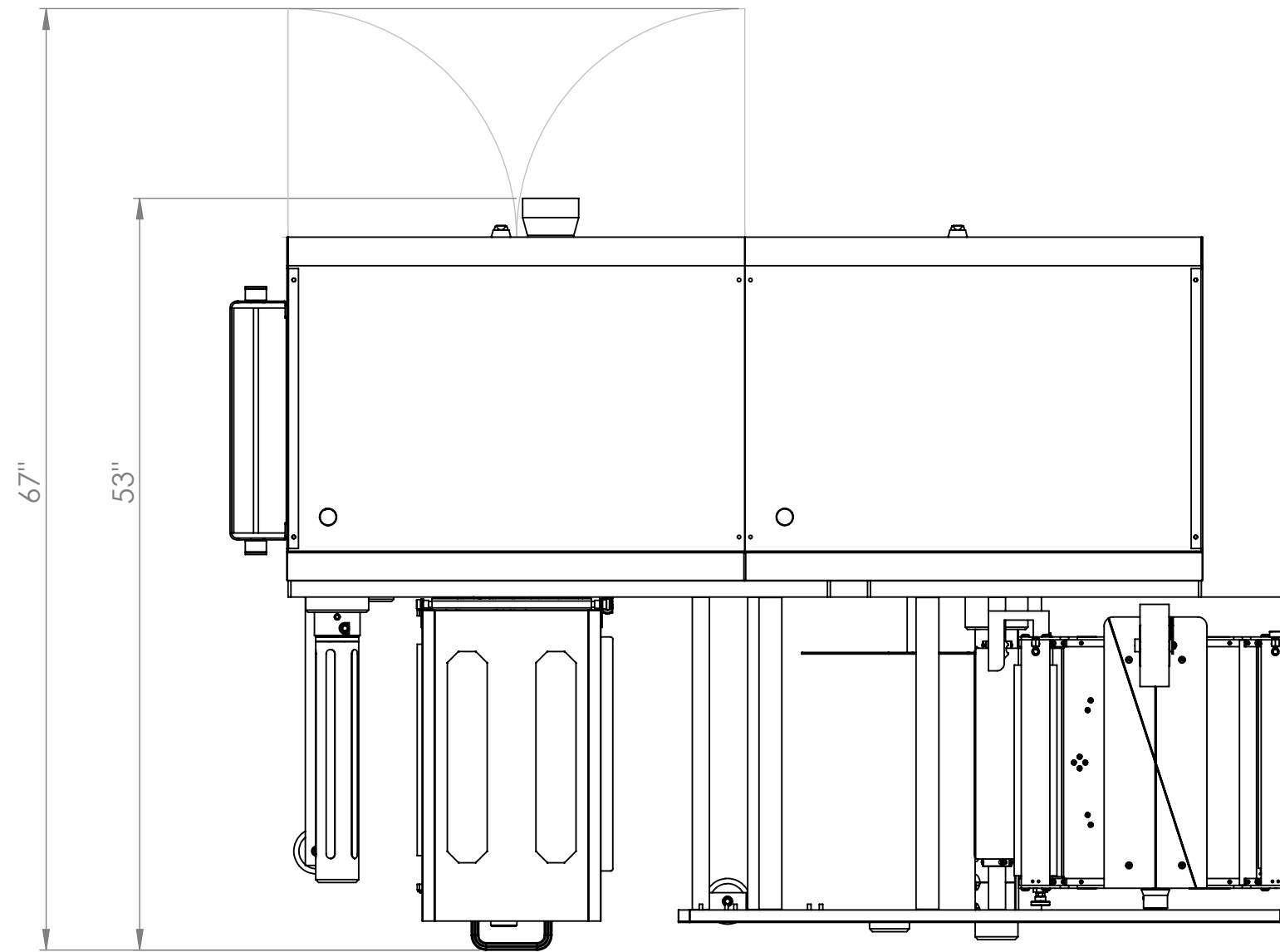



	NAME / SIGNATURE		DATE		
DRAWN	Piotr Rybnik		05.02.2018		
CHANGE	l.bazydlo		08.02.2019	DWG NO.	
APPROVED				REVISION	QUANTITY
SCALE:	WEIGHT [g]:	MATERIAL:			



	NAME / SIGNATURE		DATE		
DRAWN	Piotr Rybnik		05.02.2018		
CHANGE	I.bazydlo		08.02.2019	DWG NO.	
APPROVED				REVISION	QUANTITY
SCALE:	WEIGHT [g]:	MATERIAL:			