
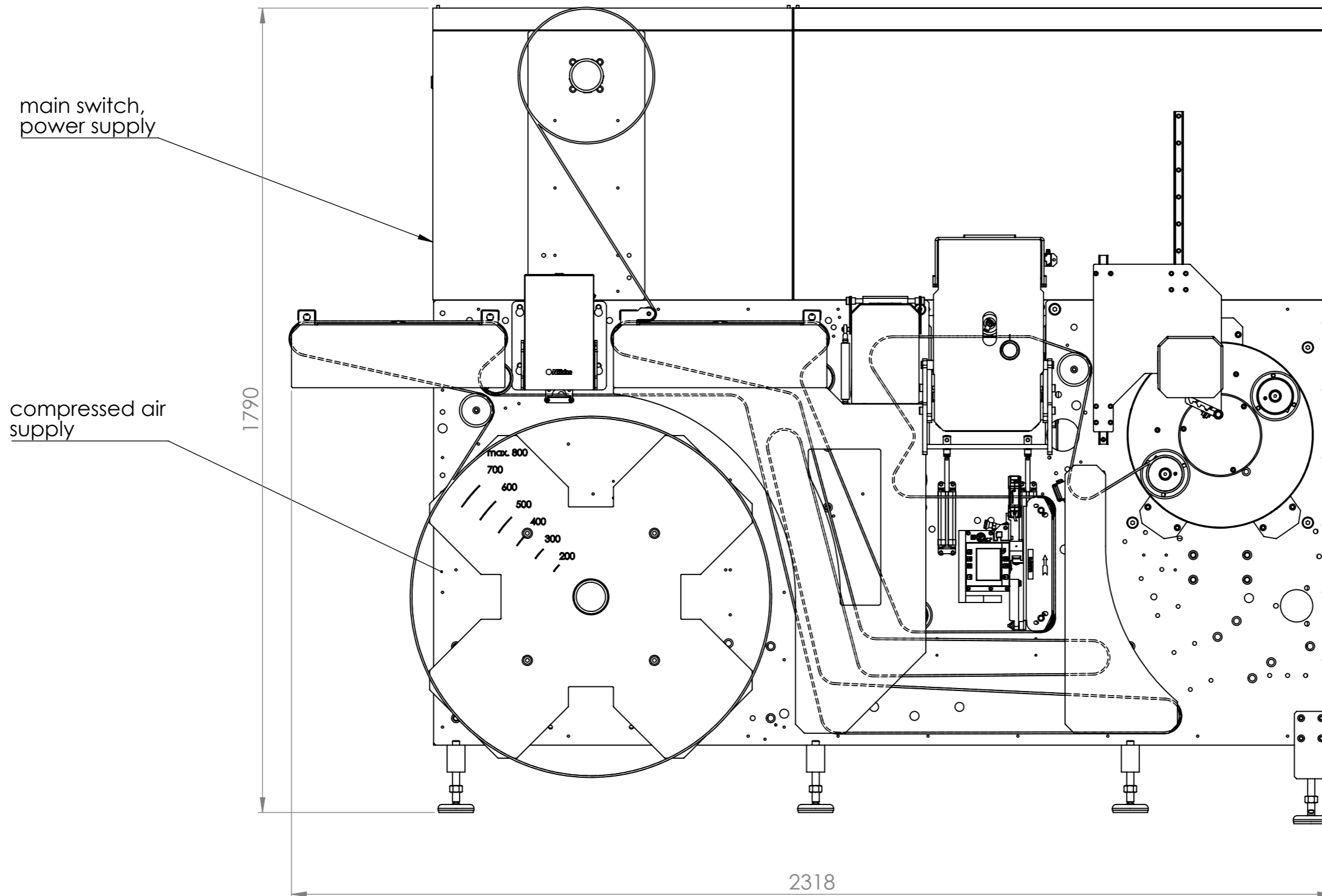



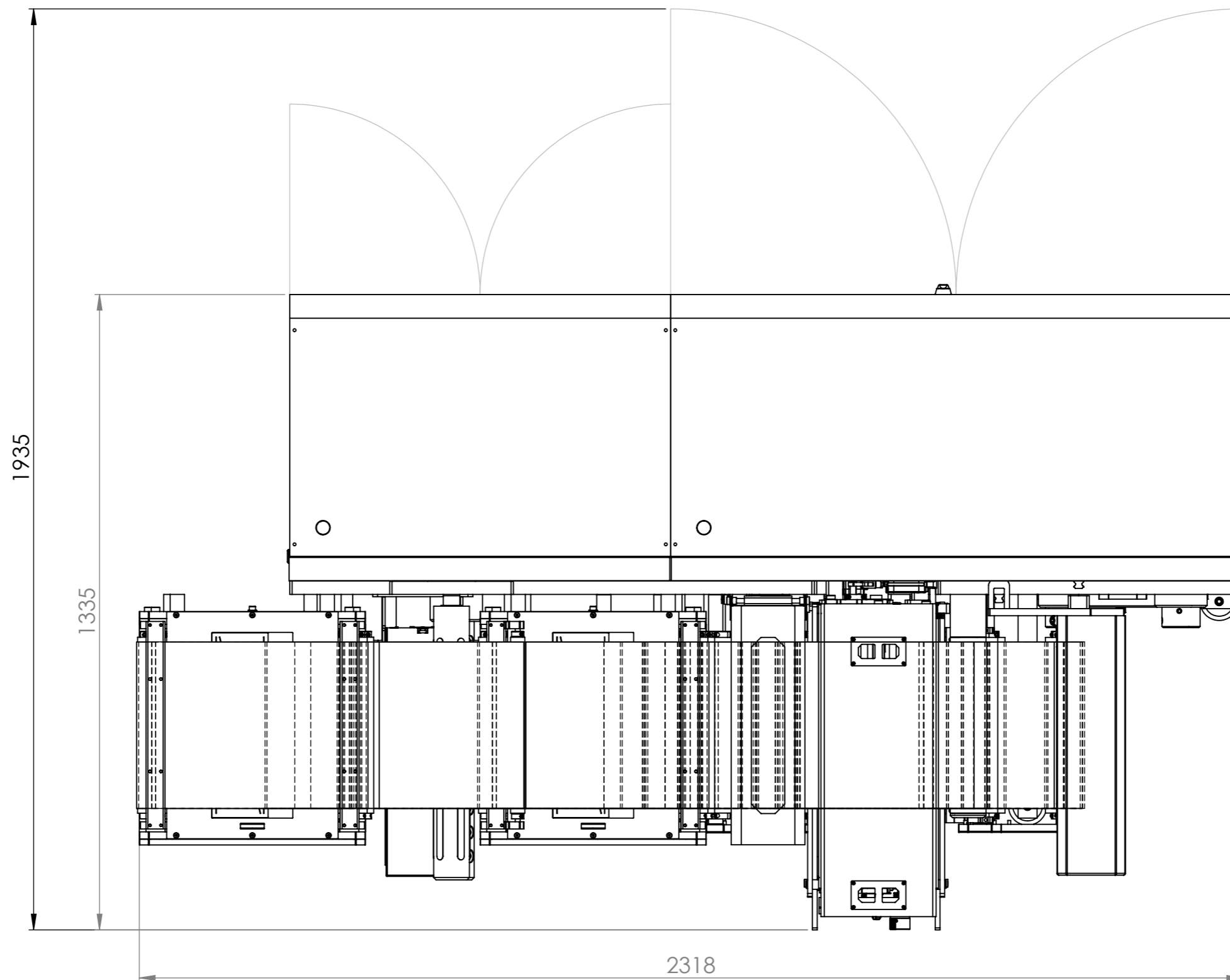
Voltage supply: 3X400V+N+PE/32A  
 Air requirement: ca. 2 m<sup>3</sup>/h, 0,6 MPa

	NAME / SIGNATURE	DATE	 TITLE: 170082G HI-350LR EADEC SPAIN	
DRAWN		2016-06-29		
CHANGED	Martyna Zowade	2017-11-20	DWG NO. 170082G HI2-350 EADEC SPAIN	
APPROVED				
SCALE: 1:10	Weight [g]:		REVISION	QUANTITY




Voltage supply: 3X400V+N+PE/32A  
 Air requirement: ca. 2 m<sup>3</sup>/h, 0,6 MPa

		NAME / SIGNATURE	DATE	 TITLE: 170082G HI-350LR EADEC SPAIN	
DRAWN			2016-06-29		
CHANGED	Martyna Zowade		2017-11-20		
APPROVED				REVISION	QUANTITY
SCALE:	Weight [g]:				
1:10					



Voltage supply: 3X400V+N+PE/32A  
 Air requirement: ca. 2 m<sup>3</sup>/h, 0,6 MPa

		NAME / SIGNATURE	DATE	 TITLE: 170082G HI-350LR EADEC SPAIN	
DRAWN			2016-06-29		
CHANGED	Martyna Zowade		2017-11-20		
APPROVED				REVISION QUANTITY	
SCALE: 1:10	Weight [g]:				