
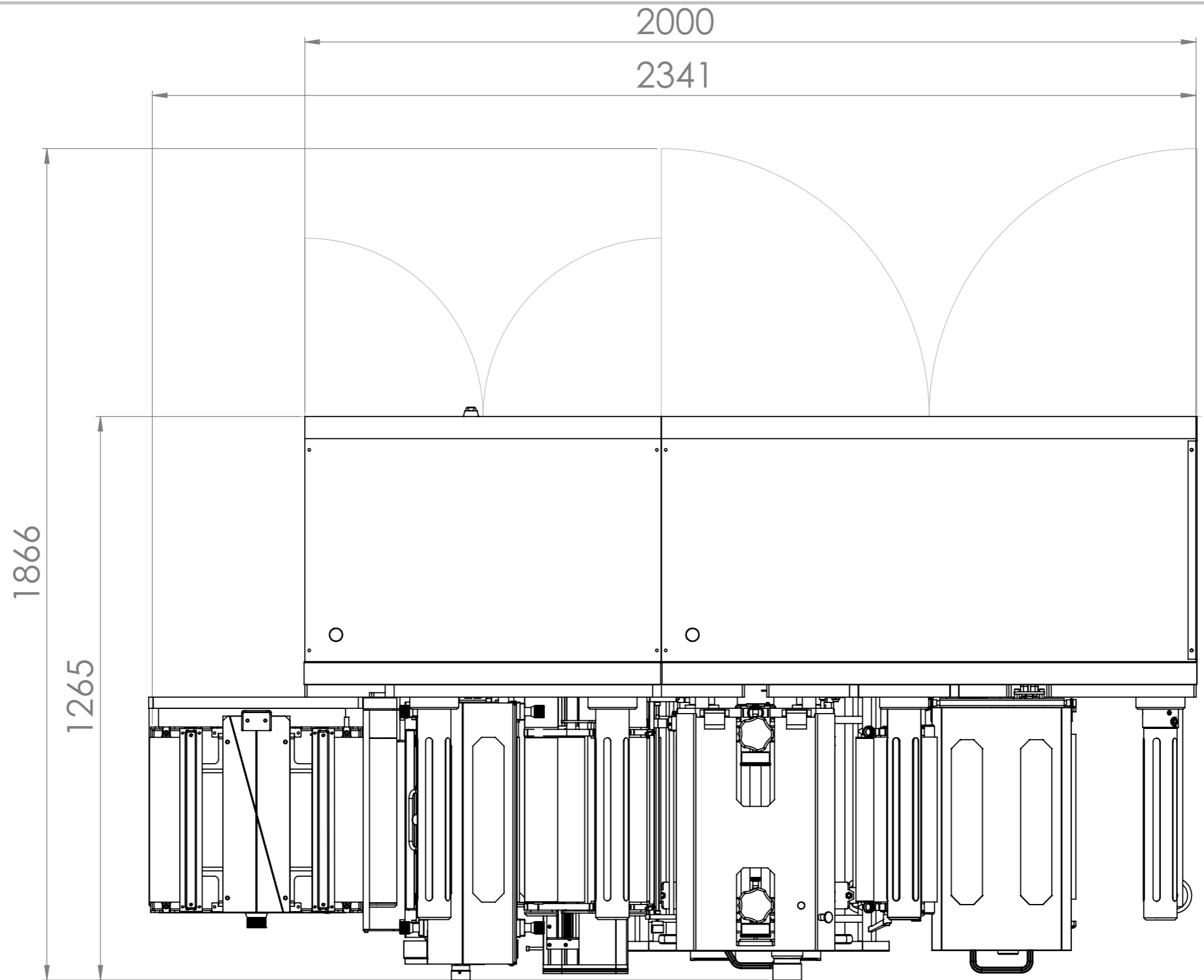



	NAME / SIGNATURE		DATE		
DRAWN			2017-06-06		
CHANGE	Piotr Rybnik		2018-04-07	DWG NO.	180113G SCF-350
APPROVED				REVISION	
SCALE:	WEIGHT [g]:	MATERIAL:		REVISION	QUANTITY



	NAME / SIGNATURE		DATE		
DRAWN			2017-06-06		
CHANGE	Piotr Rybnik		2018-04-07	DWG NO.	180113G SCF-350
APPROVED				REVISION	
SCALE:	WEIGHT [g]:	MATERIAL:		REVISION	QUANTITY