



**TWO POST LIFT**

**EASYLIFT**



**Consul 2.30 EasyLift**  
with low base-frame.  
**Manufactured in Germany**

[WWW.CONSUL-GMBH.COM](http://WWW.CONSUL-GMBH.COM)

# EASYLIFT

## Consul 2.30 EasyLift

3.000 kg (42222.0)

Everyday multi purpose lift including :

Asymmetric lifting arms  
(Short front - Long rear)

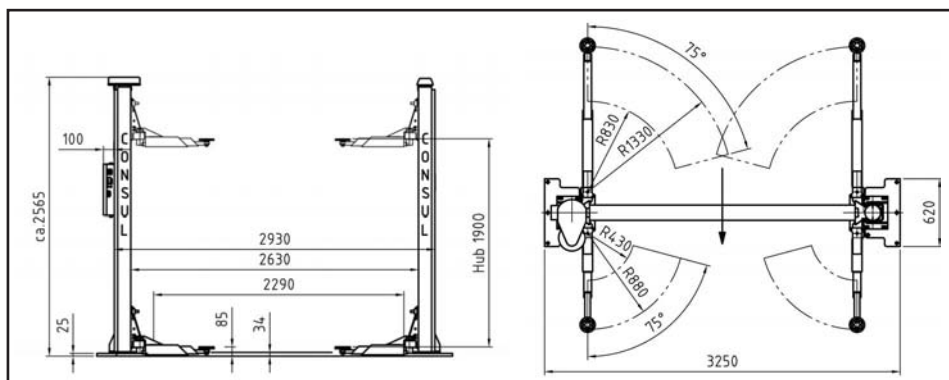
Lifting capacity for vehicles to 3.000kgs.

Chain driven, with load nuts and screw.

Fitted full safety device.

High quality manufacture and reliability,  
made in Germany

CE Approved



### TECHNICAL DATA (UK)

#### Rating:

- Capacity 3.000 kg
- Lifting time approx. 45 sec.

#### Design features:

- Special rolled section columns
- Roller guided carriage (6 fold) including lifting and safety nut
- Automatic lubrication
- Anti raise lock down safety device
- Acoustic foot protection
- Chain failure safety feature
- Separated main switch as required by CE
- Cushioning door stops
- Lifting arm locking feature
- Adjustable pick up plate (approx. 30mm)
- Belt drive motor, chain connection to slave column
- Base frame free version with galvanised chain cover
- Motor with thermal protection
- Protection class IP 54
- GS-safety approval
- CE certificate

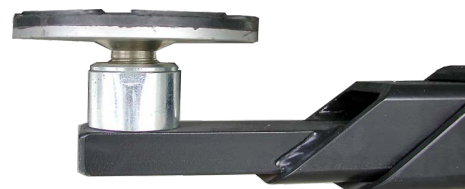
#### Electrical Supply :

- 3-ph 400 V • 50 Hz • 16A gl • 3,0 KW

#### Overall Lift Dimensions :

- Lifting height approx. 1.975 mm
- Overall height 2.565 mm
- Drive over height 34 mm
- Net weight approx. 600 kg
- Lifting arm height lowered 85 mm
- Drive through width 2.290 mm
- Overall width 3.250 mm

Order no. 42222.0 - 2.30 Easylift



Selection of various height lifting pads.  
(ask your area distributor)

#### Authorised Distributors :

**Multitune GE Ltd**  
25 The Avenue  
Wroxham  
Norwich  
NR12 8TR

Telephone : 01603 781999  
e-mail : [multituneltd@gmail.com](mailto:multituneltd@gmail.com)  
Website : [multitune.net](http://multitune.net)

**OPENING HOURS:**  
Mon - Fri: 08.30am - 5.10pm  
Closed all days Saturdays & Sundays.

