

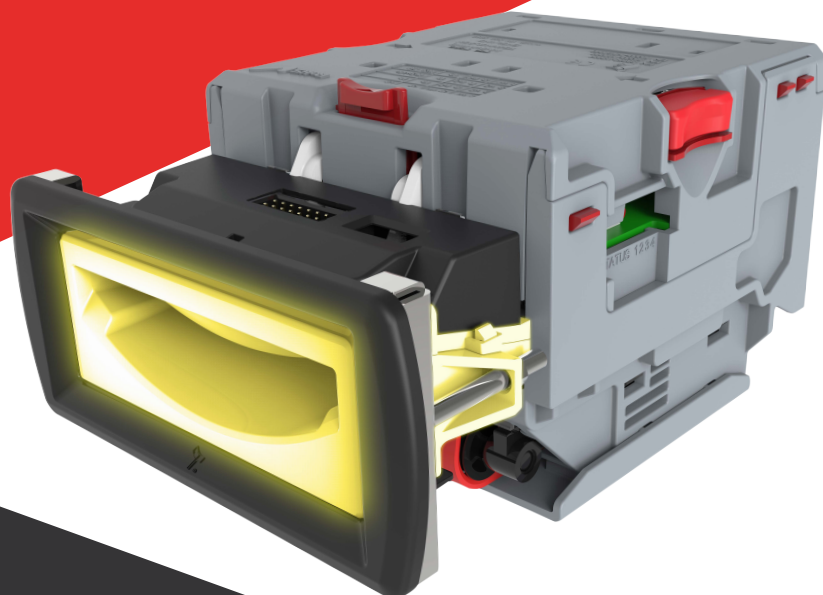


Innovative Technology

INTELLIGENCE IN VALIDATION

NV10 USB+

“Compact stackerless banknote validator”



- Compact stackerless design
- Enhanced sensing technology
- Proven field reliability
- Future proof
- One build standard for global applications



FEATURES

- Compact, stackerless note validator
- Proven field reliability
- Over 100 different world currencies accepted
- Industry standard protocols
- Easy maintenance, free firmware updates



BENEFITS

- Suitable for most applications
- Lowest cost of ownership
- A truly global product
- Simple integration
- Future proof - quick & easy updates via USB, PC or handheld programmer



Innovative Technology

INTELLIGENCE IN VALIDATION

Technical Specification

Power

Requirements: 12V

Standby: 0.2A

Running: 1A

Peak: 1.5A

Interfaces

USB option

Open collector

Protocols

SSP

ccTalk

MDB

Pulse

Parallel

Binary

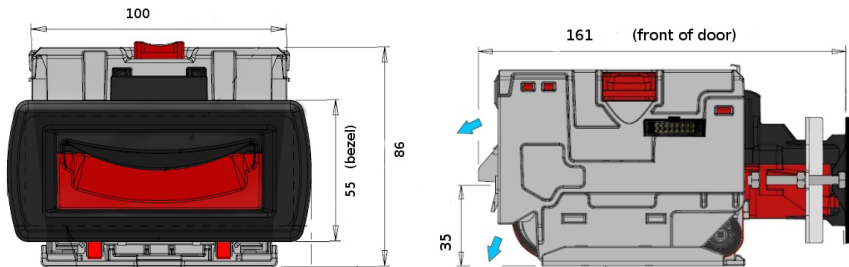
Serial

Bezel Options

66/82mm width

Extended

Rainbow illumination



- Weight: 0.55kg

**VIEW MORE
NOTE HANDLING
PRODUCTS >>**



Find Us

Head Office

Innovative Technology Ltd (UK)

Innovative Business Park

Derker Street

Oldham

OL1 4EQ



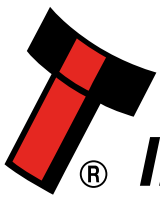
Telephone

+44 (0) 161 626 9999



Email

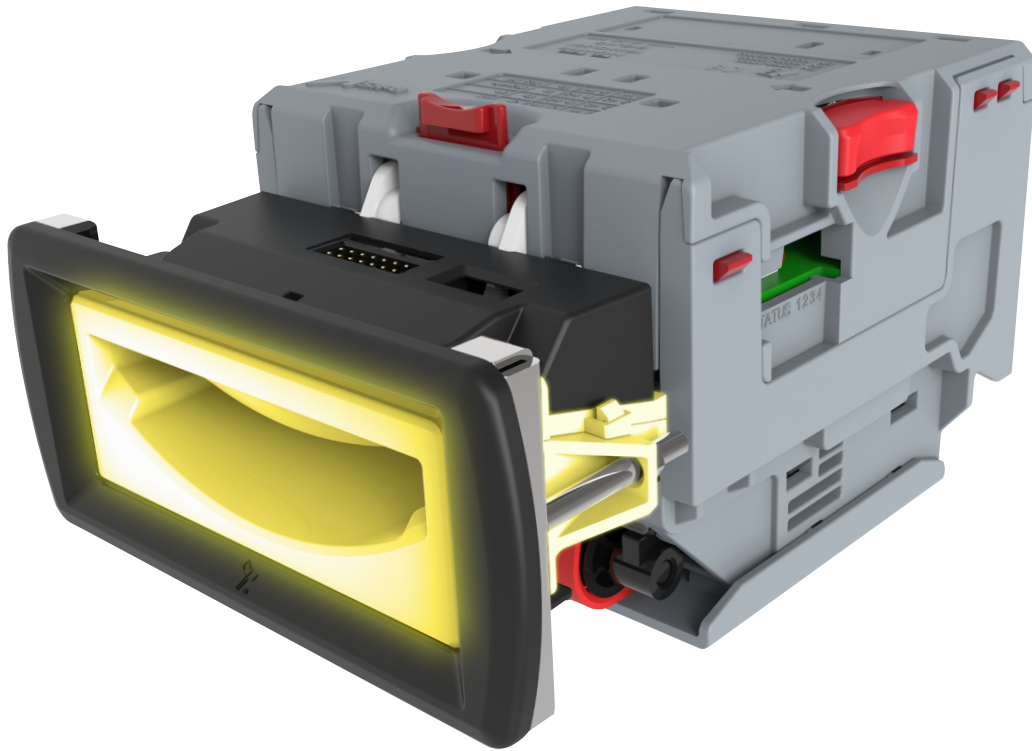
sales@innovative-technology.com



Innovative Technology

INTELLIGENCE IN VALIDATION

Standard Options | NV10 USB+



Bezel Options



Standard Bezel
SKU: PA00231



Rainbow Bezel
SKU: PA01174



Extended Bezel
SKU: PA00266

	NV10-USB 001	NV10-USB 002	NV10-USB 003
Standard Bezel	<input checked="" type="checkbox"/>	<input type="checkbox"/>	<input type="checkbox"/>
Rainbow Bezel	<input type="checkbox"/>	<input checked="" type="checkbox"/>	<input type="checkbox"/>
Extended Bezel	<input type="checkbox"/>	<input type="checkbox"/>	<input checked="" type="checkbox"/>